

15-inch Fanless Full Flat Touch Screen POS Terminal

TP-7715 Series



- **Features**

- Fanless Design with 6th/7th Generation Intel® Core Processors
- Latest DDR4 Memory, SATA 3.0, SATA III, RAID 0/1 and Intel i-AMT Support
- Support Up To External 2 Signage Displays and Compatible With iAMT (TP-7715 Plus)
- Slim, Sealed, Strong, Easy Maintenance and Stylish Design
- Aluminum Die-Casting Back Cover For Optimal Thermal Dissipation
- Cables And Power Adapter Hidden In The Stand
- IP65/NEMA 4 Front Bezel Compliant



Left View



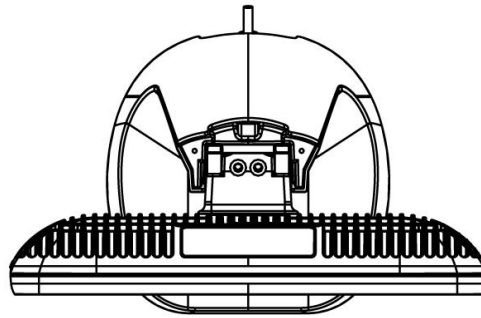
Front View



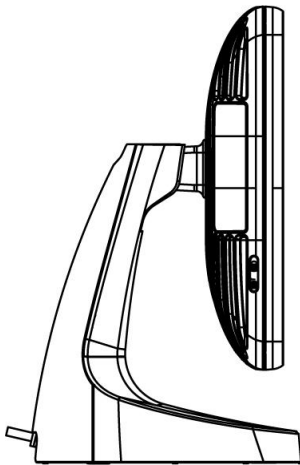
Rear View



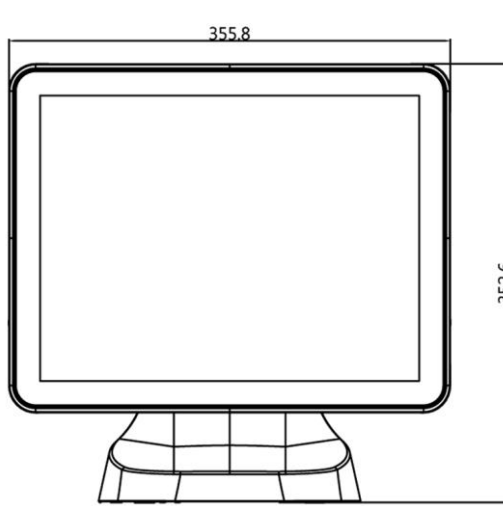
- **Dimensions**



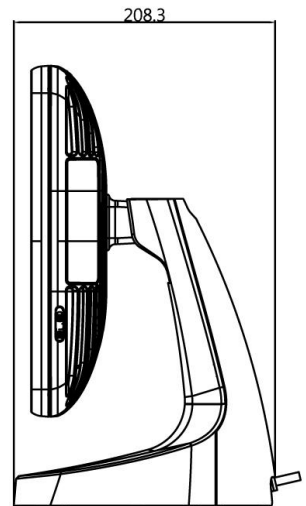
Top View



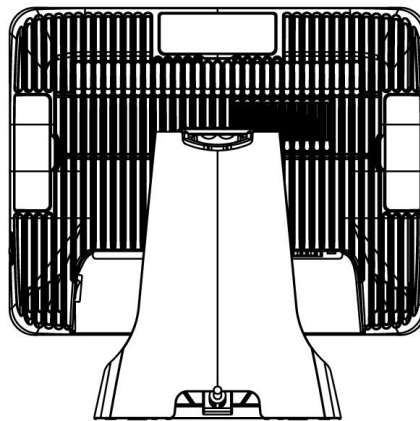
Left View



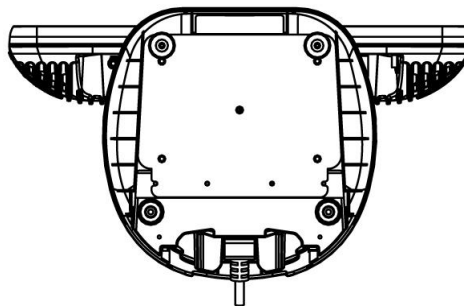
Front View



Right View



Rear View



Bottom View



- Specifications**

Model	TP-7715 Series	
Platform	TP-7715	TP-7715P
	H110 Chipset	Q170 Chipset
CPU	Intel® Celeron G3900TE (2.3GHz, Dual Core, 2M Cache) Intel® i3-6100TE (2.7GHz, Dual Core, 4M Cache) Intel® i5-6500TE (up to 3.3GHz, Quad Core, 4M Cache) Intel® i7-6700TE (up to 3.4GHz, Quad Core, 8M Cache)	Intel® i5-6500TE (up to 3.3GHz, Quad Core, 4M Cache) Intel® i7-6700TE (up to 3.4GHz, Quad Core, 8M Cache)
System Memory	2 x DDR4 SO-DIMM Socket, up to 32GB	
Graphic	Intel® HD Graphics	
OS Support	POS Ready 7 (32/64 bit), Windows 7 (32/64 bit), Windows 8.1 (64 bit), Windows 10 IOT Value (64 bit), Windows 10 IOT High End (64 bit), Linux	
Display		
Screen Size	15" TFT LCD LED backlight, (Ratio 4:3)	
Resolution	1024 x 768	
Touch Screen	True-Flat Projective Capacitive Touch (10 point) True-Flat 5-wire Resistive Touch	
Tilting Angle	15~85 degree	
Storage		
HDD	1st x 2.5" SATA III HDD or SSD supported in the Main Panel 2nd x 2.5" SATA III HDD or SSD supported in the base,	
RAID	N/A	RAID 0/1
Interface		
Serial	4 x COM (COM1~2 DB9 with RI/+5VDC/+12VDC output by BIOS, COM3~4 8P8C with RI/+5VDC/+12VDC output by jumper)	
Parallel	1 x DB-25 Parallel Port	
USB	4 x USB 3.0 Type A 1 x 12V and 1 x 24V Power USB (option)	
LAN	2 x RJ45, Giga LAN Support (10/100/1000 Mbps), - 1 x Intel® I219 LAN, RJ45 (Lan 1), - 1 x Realtek RTL8111G, RJ45 (Lan 2)	
VGA	1 x reserved (Max Resolution: 1920 x 1080) for 2nd Display	
HDMI	1 x HDMI (horizontal type)	



Cash Drawer	1 x RJ-11, +12VDC/+24VDC by jumper select	
Audio	1 x Line out	
DC Out	1 x +12VDC	
DC In	1 x +12VDC	
Others		
Power Adapter	+12V/7.5A, 90W External Power Adapter with Cable Head Lock and Hide in Stand +12V/12.5A, 150W External Power Adapter (option for Power USB) with Cable Head Lock (Power Adapter: 100VAC~240VAC, 50/60Hz)	
Color	Black / White	
Compliance	EMI & Safety	CE EN55032/EN55024 FCC PART 15B LVD EN60950-1 BSMI CNS14336
	ROHS	Yes
Intel AMT Support	N/A	Yes
Weight	9 kg	
Dimension (mm)	355.8 (W) x 352.6 (H) x 208.3 (D) mm	
Operating Temperature	0°C~40°C	
Operating Humidity	20% ~ 80% RH non-condensing	
Storage Temperature	-20°C~55°C	
Storage Humidity	20% ~ 85% RH non-condensing	

* The specifications are subjected to change without prior notice.



Optional Peripherals

Optional Peripheral		
2nd Display		9.7", 350nits and resolution up to 1024 x 768 15", 300nits and resolution up to 1024 x 768 Optional PCAP Touch supported
Customer Display		VFD, 20 Columns x 2 Lines
MSR		Bi-directional, comply with ISO 7811 and Track 1/2/3 (HID USB)
3-1 Reader I	MSR	Bi-directional, comply with ISO 7811 and Track 1/2/3 (HID USB)
	Chip Card Reader	Read/write follow ISO7816 /EMV specification and synchronous memory cards (HID USB)
	NFC	Read/Write NXP, Mifare Plus, Mifare DESFire and ISO14443 A/B-4 contactless cards (HID USB)
3-1 Reader II	MSR	Bi-directional, comply with ISO 7811 and Track 1/2/3 (HID USB)
	Chip Card Reader	Read/write follow ISO7816 /EMV specification and synchronous memory cards (HID USB)
	Optical Finger Print	Optically scans and pixel resolution 512 dpi (HID USB)
3-1 Reader III	MSR	Bi-directional, comply with ISO 7811 and Track 1/2/3 (HID USB)
	Chip Card Reader	Read/write follow ISO7816 /EMV specification and synchronous memory cards (HID USB)
i-Button		Dallas i-button Reader (HID USB)
Barcode Scanner		1D and 2D Barcode Scanner
Wi-Fi		Mini-PCle interface, IEEE 802.11 a/b/g/n/ac
VESA MOUNT Kit		VESA SIZE 75 x 75 and 100 x 100mm support

* The specifications are subjected to change without prior notice.



2D Barcode Scanner



Customer Display



2nd LCD Display

